



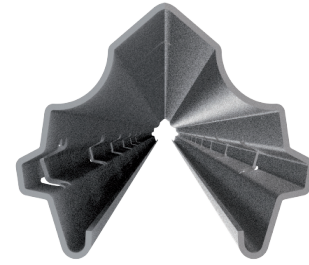
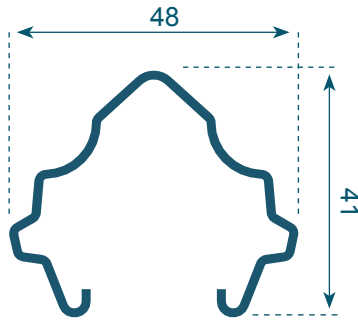
INTERMEDIATE STEEL POST P3



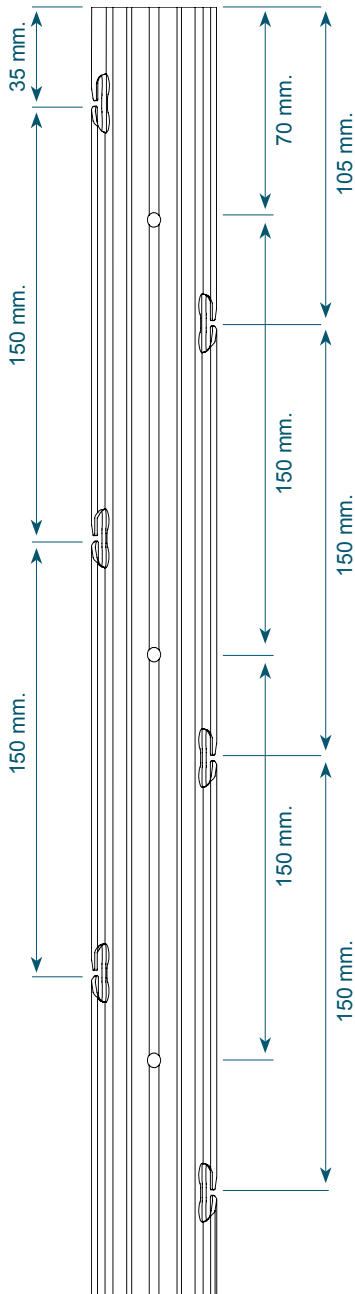
www.dolmec.com



INTERMEDIATE STEEL POST P3



The intermediate metal post “ P3 profile” Dolmec has a particular shape that makes it very resistant to lateral and longitudinal torsion, and able to withstand the weight of trellising, grapes and wind force. The rolled edge are mechanical harvesting friendly. Internal hooks “N” shaped, are positioned in both side asymmetrically for better strength every 15 centimeters. Further holes make trellising management easy. Line steel posts for vineyards are available in different length. The right solution for highly productive grape-growing areas. They can be produced in pre-galvanized steel Sendzimir Z275, Hot Dipped Galvanized steel, Weathering Steel (Cor-Ten) and Magnelis.



CODE	LENGHT	THICKNESS	HOOKS	HOLES	WEIGHT*
P318012	mt.1,80	mm.1,2	4 each side	4	kg.2,070
P319012	mt.1,90	mm.1,2	4 each side	4	kg.2,180
P320012	mt.2,00	mm.1,2	6 each side	6	kg.2,300
P321012	mt.2,10	mm.1,2	6 each side	6	kg.2,410
P322012	mt.2,20	mm.1,2	6 each side	6	kg.2,530
P323012	mt.2,30	mm.1,2	8/10 each side	8/10	kg.2,650
P324012	mt.2,40	mm.1,2	8/10 each side	8/10	kg.2,760

CODE	LENGHT	THICKNESS	HOOKS	HOLES	WEIGHT*
P320015	mt.2,00	mm.1,5	6 each side	6	kg.2,840
P321015	mt.2,10	mm.1,5	6 each side	6	kg.2,980
P322015	mt.2,20	mm.1,5	6 each side	6	kg.3,120
P323015	mt.2,30	mm.1,5	8/10 each side	8/10	kg.3,260
P324015	mt.2,40	mm.1,5	8/10 each side	8/10	kg.3,400
P325015	mt.2,50	mm.1,5	8/10 each side	8/10	kg.3,550
P326015	mt.2,60	mm.1,5	10 each side	10	kg.3,700
P327015	mt.2,70	mm.1,5	10 each side	10	kg.3,850
P328015	mt.2,80	mm.1,5	10 each side	10	kg.3,970
P329015	mt.2,90	mm.1,5	10 each side	10	kg.4,100
P330015	mt.3,00	mm.1,5	10 each side	10	kg.4,260

Different lenghts on request.
The data relate to metal post in steel
Sendzimir Z275.

*Weights indicated can be subjected to change foreseen
by UNI EN 10143

Available in:

- Pre-galvanized steel Sendzimir Z275
- Hot deep galvanized steel
- Magnelis
- Weathering steel (Cor-Ten)

Authorized distributor

