



WHEN THINGS GET ROUGH

VINEYARDS DISC PREPRUNER

VINEYARDS DISC PRE-PRUNER

The disc pre-pruner Dolmec performs vine shoots clean cutting at high speed thanks to steel disc with particular shape that catch and cut vine shoots in cordon or guyot trellising cleaning the wires. This cutting system consists of two opposite columns. Each one of these turn in opposite direction. These discs no require sharpening. Shoot pieces are discharged by gravity and wires cleaned. It needs for low-level maintenance and very low oil flow-rate. Each stack of discs is adjustable relative to the other in order to optimize the cutting quality and improve the removal of tendrils. It can be mounted on any kind of tractor by special bracket. High resistance tubular frames.



Description	Model
vineyards disc pre-pruners with 8 discs	PDISC8

Equipped with 8 discs each column

- Hydraulic vertical adjustment.
- Hydraulic lateral adjustment.
- Hydraulic lateral tilt adjustment.
- Height work mm.630.
- Pedestal included

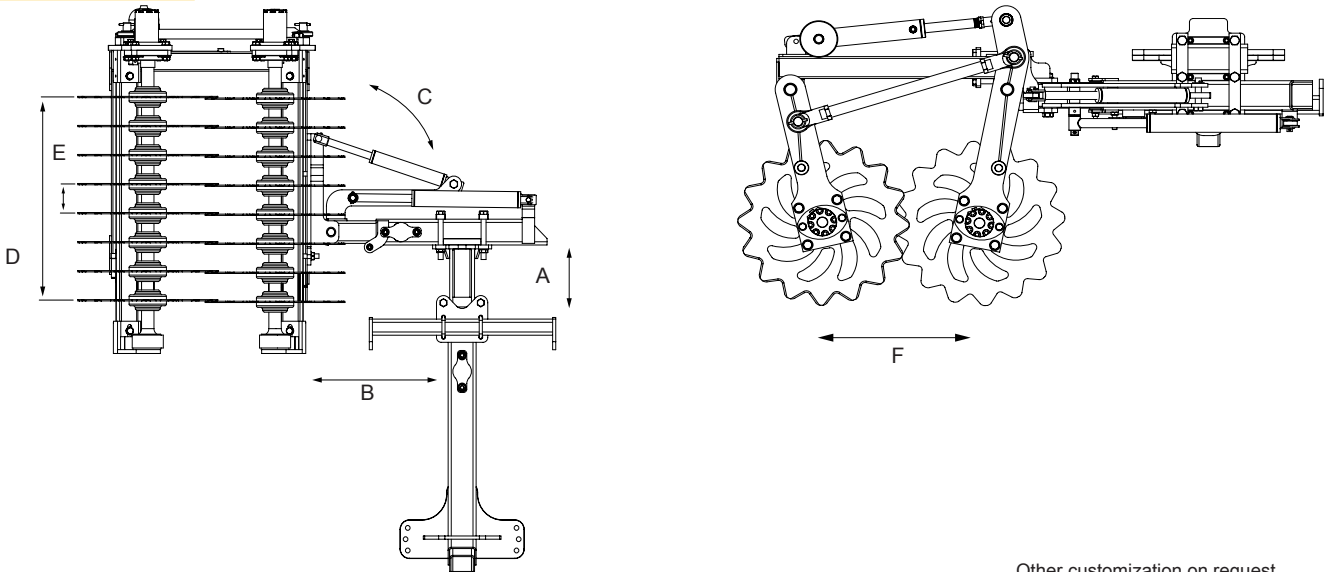
Other customization possible

very high resistance steel disc



VINEYARDS DISC PREPRUNER

TECHNICAL DATA



Other customization on request

Model	A	B	C	D	E	F	weight
	vertical adjustment	dx-sx adjustment	tilt adjustment	height of work	distance between discs	columns overture	
PDISC8	mm.500	mm.500	+12°/-12°	630 mm.	90 mm.	550	kg.335



Independent hydraulic power unit (optional)

Hydraulic requirement is 25 lt./min. Is preferred to use an independend hydraulic system. with douple pumps, gears multiplier, oil filters, max pression valve and oil cooler radiator. (optional)

(60 Lt capacity oil tank)



Solenoid valves kit



joystick for electronic remote control

Codice	Accessori Prepotatrice a dischi
DISCO	Additional disc.
CSMPR	Independent hydraulic power unit with double pump, gears multiplier, tank, filters, max pressure valve
SCAMB	Radiator (oil cooler)
JCELV	Solenoid valves and joystick for electronic remote control

distribuito da:

