



WHEN THINGS GET ROUGH VINEYARDS PRE-PRUNERS NTM LIGHT

VINEYARDS PREPRUNER NTM LIGHT

The pre-pruner NTM LIGHT Dolmec performs vine shoots clean cutting at high speed thanks to its “double rotation system” in cordon or guyot trellising. This cutting system consists of two opposite columns. Each one of these has double rotation inside. The external elements catch the shoots, while internal knives cut them. Shoot pieces are discharged by gravity and wires cleaned. The Dolmec pre-pruner can be used in vineyards with driplines irrigation system. It needs for low-level maintenance. It can be mounted on any kind of tractor by special bracket. High resistance tubular frames.



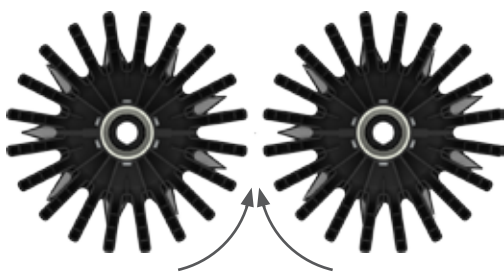
Description	Model
vineyards pre-pruners NTM LIGHT	NTML6C

Pendulum cutting assembly. It is equipped with 6 cutting unit on each column. Conveyor wheels in special high-resistance plastic. Hydraulic vertical and lateral adjustment. Front-rear pendulum with mechanical regulation

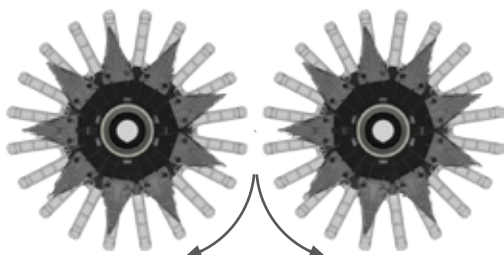
- Double rotation cutting system.
- Height work mm.750.
- Pedestal included

Other customization possible

Double rotation cutting system



direction of rotation shoots conveyors elements



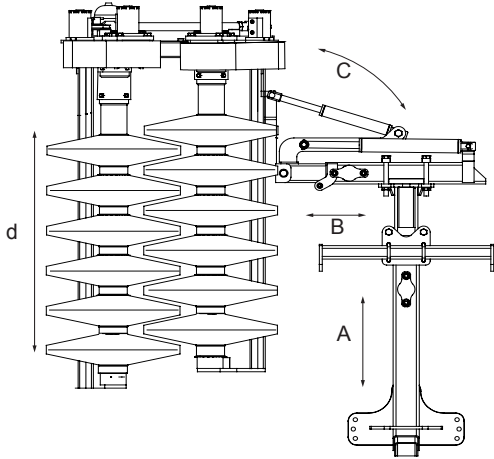
direction of rotation discs with cutting knives
(on every disc there are 9 knife)





WHEN THINGS GET ROUGH VINEYARDS PRE-PRUNERS NTM LIGHT

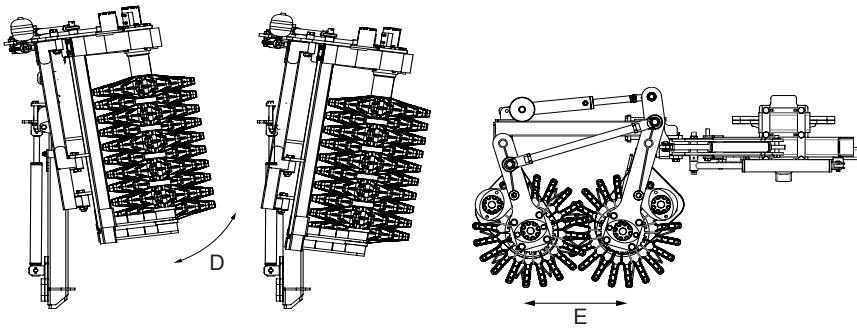
TECHNICAL DATA



KNTM -additional couple cutting kit-

Model	A vertical adjustment	B dx-sx adjustment	C dx-sx tilt	d working space	weight
NTM6C	mm.500	mm.500	+15°/-15°	700 mm.	kg.355

Other configurations on request



Model	D rear-front hydraulic tilting	E opening
NTM6C	+10°/-10°	mm.600



Independent hydraulic
power unit
(optional)

Hydraulic requirement is 25 lt./min. Is preferred to use an independent hydraulic system. with double pumps, gears multiplier, oil filters, max pression valve and oil cooler radiator. (optional)

(60 lt capacity oil tank)



Solenoid valves kit



joystick for electronic
remote control

Code	Pre-pruner NTM LIGHT accessories
KNTM	Additional couple cutting kit.
CSMPR	Independent hydraulic power unit with double pump, gears multiplier, tank, filters, max pressure valve
SCAMB	Radiator (oil cooler)

authorized dealer:



Modification can be apported without advice.