



WHEN THINGS GET ROUGH

POST DRIVER 2 MOVEMENT

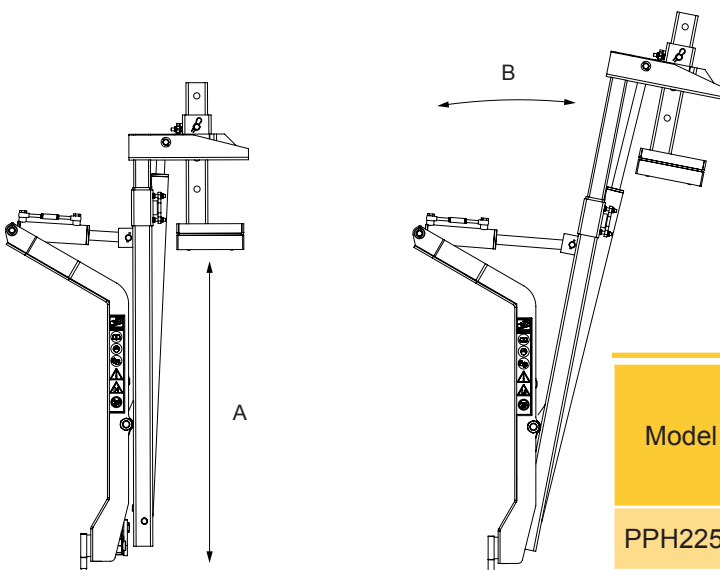
POST DRIVER 2 MOVEMENTS PPH2250

The Dolmec post driver is the best and stronger on market. It's perfect to drive any post in vineyards, orchards or for fencing. The only one with shaped frame and tubular steel sections dimensioned to support any type of exertion and torsion. The mast has large plate to minimize settings speeding up your job. Easy installation, taking only a few minutes to mount or detach from your tractor by universal plate or brackets. Great for replacement of damaged or broken posts or for grubbing operations. It is installed laterally at crawler machine or at three point hitch by special bracket at wheeled tractor.



Code	Optional Vineyards Pile driver PPH2250
DI2L	Two levers hydraulic distributor
SPPL	3 point hitch linkage Rear bracket

TECHNICAL DATA

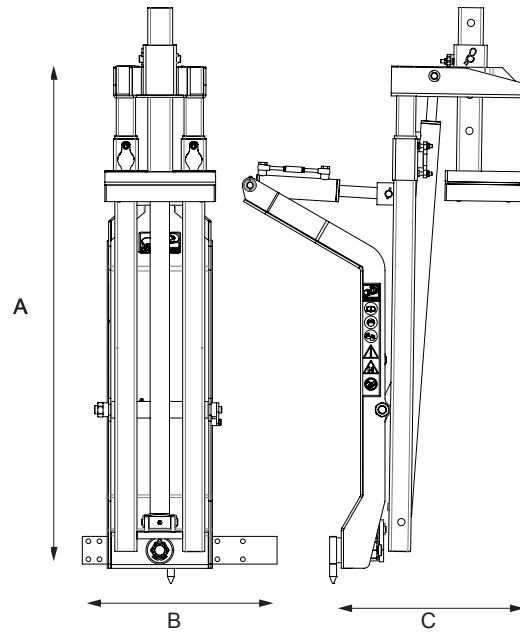


Model	A height work	B Tilt right-left
PPH2250	from mt. 1,00 up to mt.2,50	from +15° up to -12°

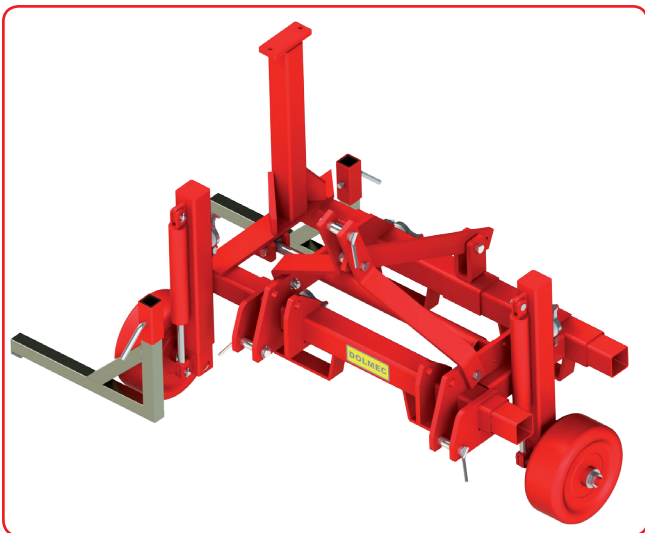


WHEN THINGS GET ROUGH

POST DRIVER 2 MOVEMENT



Model	A	B	C	Weight
PPH2250	1.550 mm.	545 mm.	550 mm.	230 kg.



SPPL

3 point hitch linkage Rear bracket

Brackets are available for wheeled tractor with width from mt.1,30,with adjustable weels for work in total safe.

authorized dealer:



Modification can be appornted without advice.